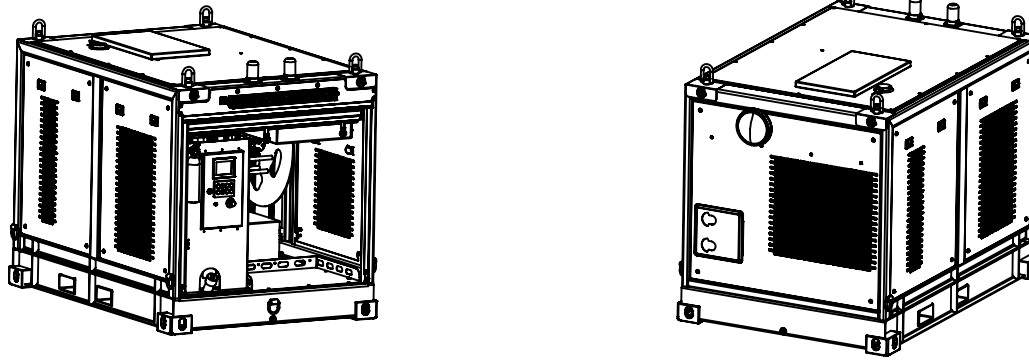


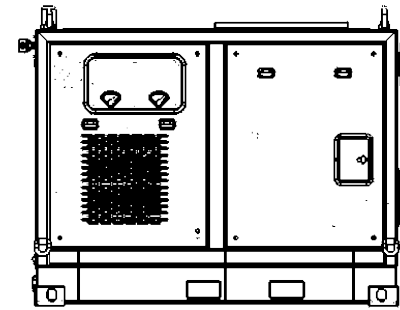
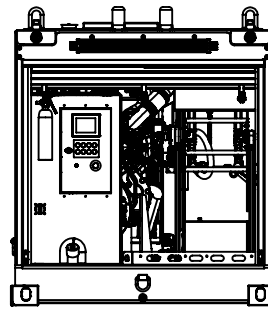
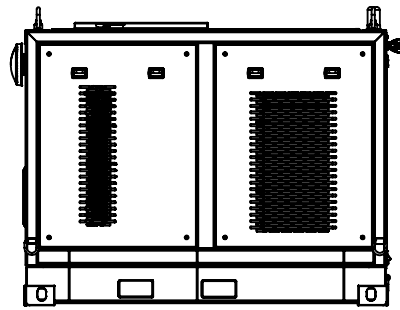
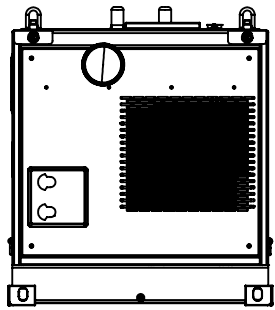
D

D



C

C



Front  
Details on Sheet 2

Right  
Details on Sheet 3

Rear  
Details on Sheet 4



Left  
Details on Sheet 5

Notes:

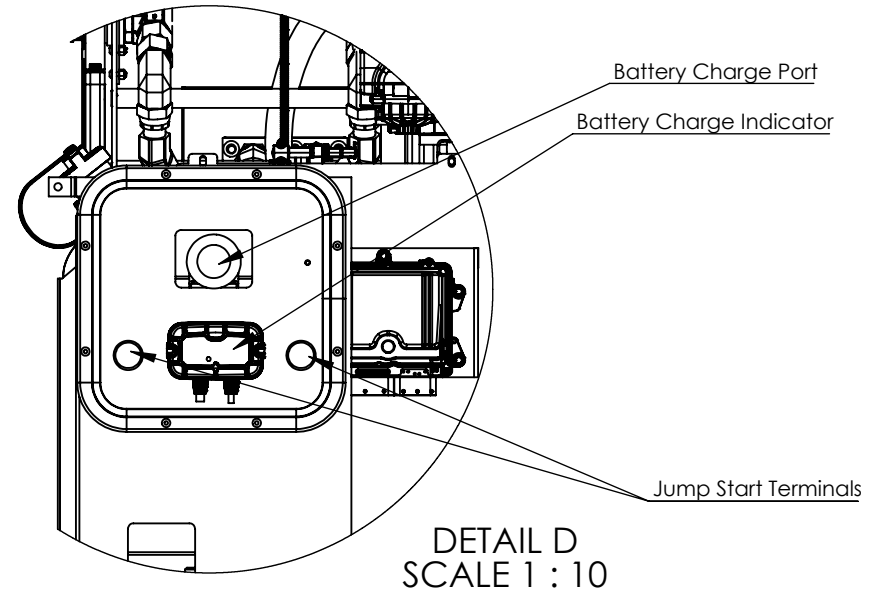
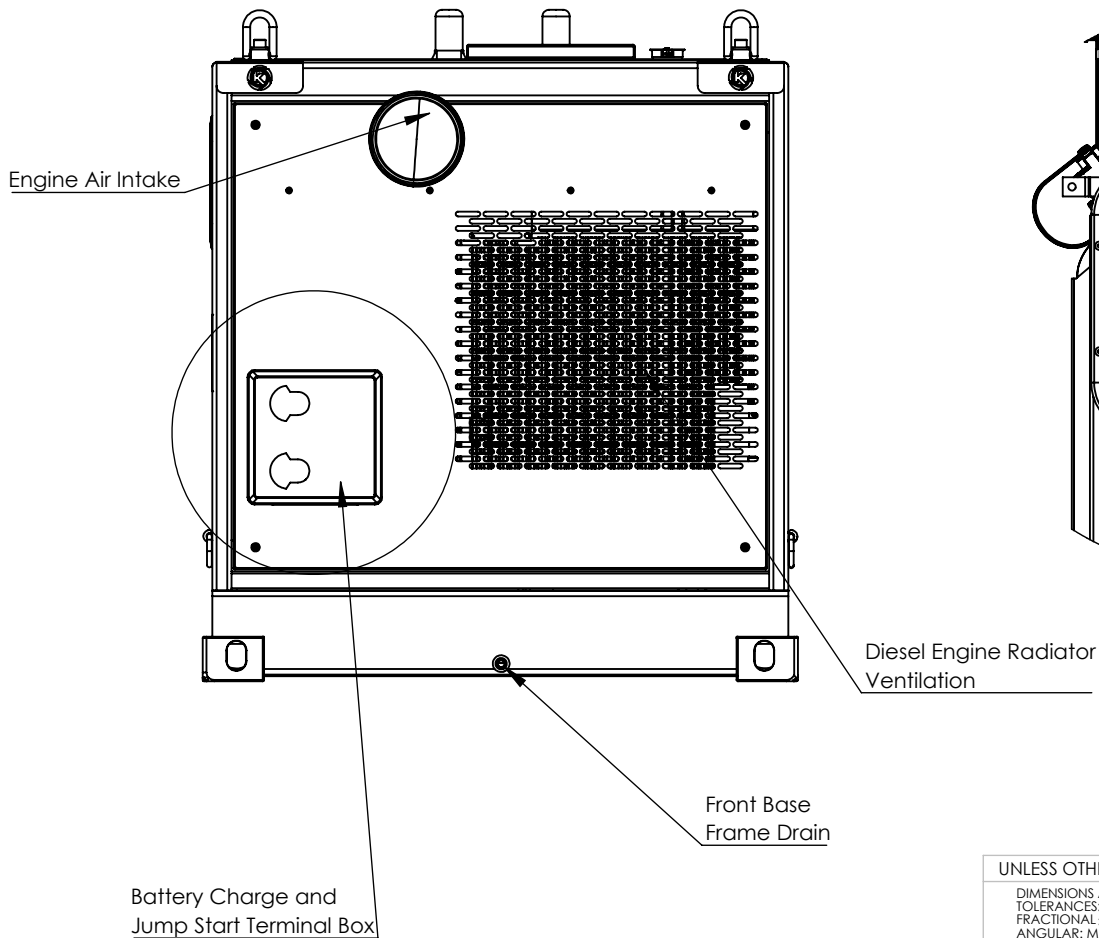
- Dimensions not beholden to block tolerances
- Weight: 5500 lbs [2495 kg] without fuel
- Weight: 5850 lbs [2654 kg] with fuel



A

A

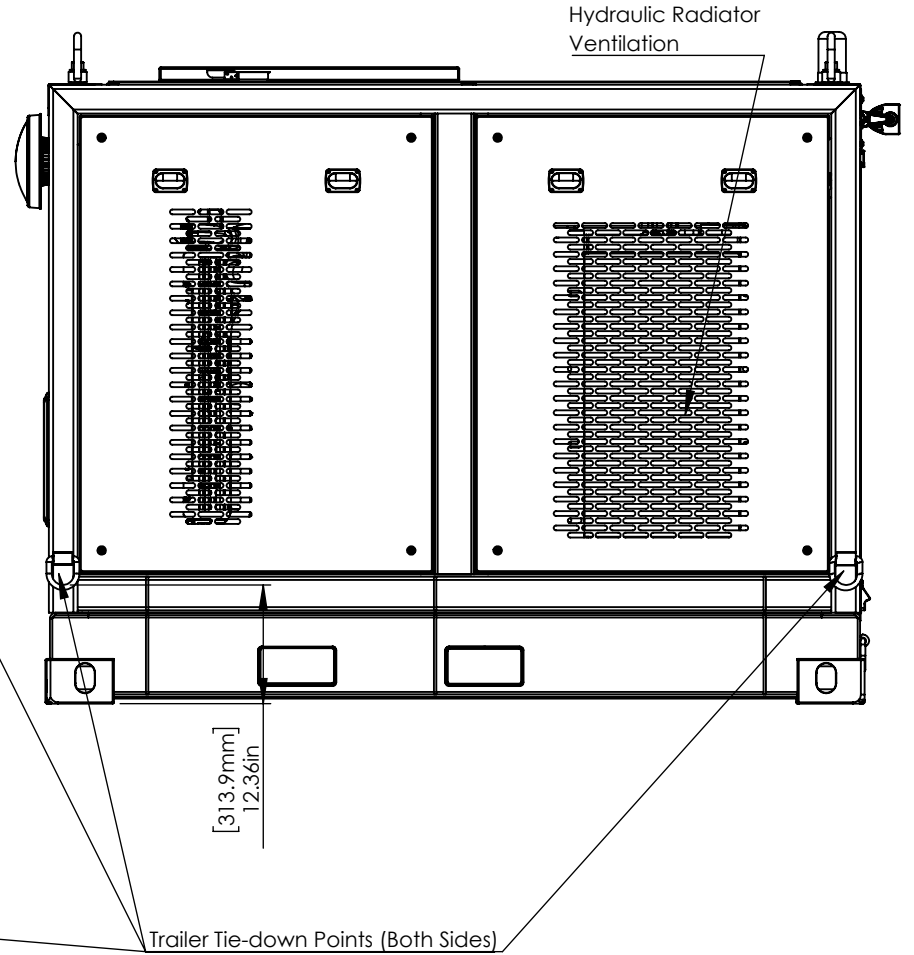
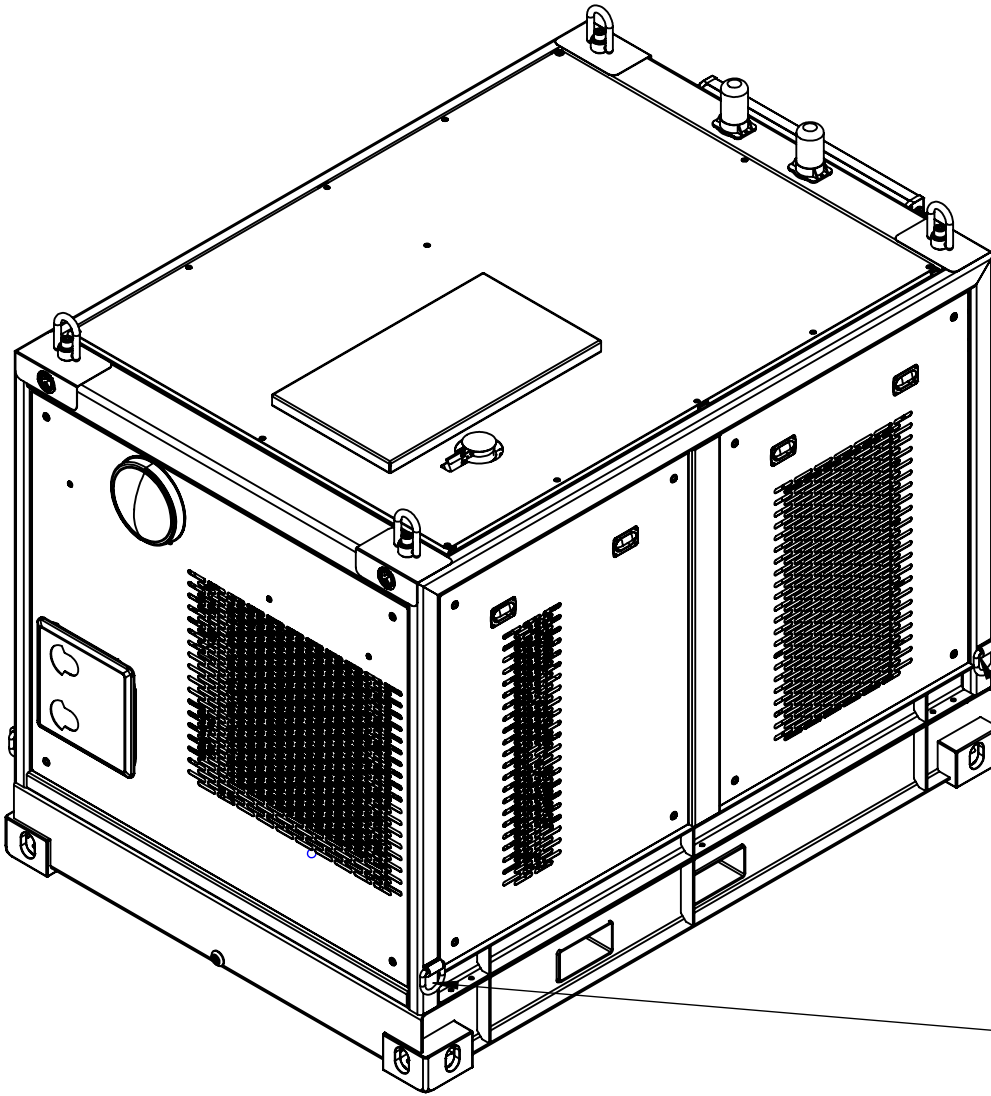
UNLESS OTHERWISE SPECIFIED:		NAME	DATE	 <b>KASE</b> PUMPING SYSTEMS
DIMENSIONS ARE IN INCHES [mm] TOLERANCES: FRACTIONAL $\pm 1/8$ ANGULAR: MACH $\pm 0.5$ BEND $\pm 1$ TWO PLACE DECIMAL $\pm 0.01$ THREE PLACE DECIMAL $\pm 0.005$		DRAWN BY	T. Hanton, EIT	
INTERPRET GEOMETRIC TOLERANCING PER: ANSI/ASME Y14.5		ENG APPR.		TITLE:
MATERIAL		PART NUM		HP Otter Reference Drawing
FINISH		<b>PROPRIETARY AND CONFIDENTIAL</b>		SIZE DWG. NO.
PROJECTION		THE INFORMATION CONTAINED IN THIS DRAWING IS THE SOLE PROPERTY OF KASE PUMPING SYSTEMS LLC. ANY REPRODUCTION IN PART OR AS A WHOLE WITHOUT THE WRITTEN PERMISSION OF KASE PUMPING SYSTEMS LLC IS STRICTLY PROHIBITED.		REV
				A
		SCALE	1:50	SHEET 1 OF 8



# Front View



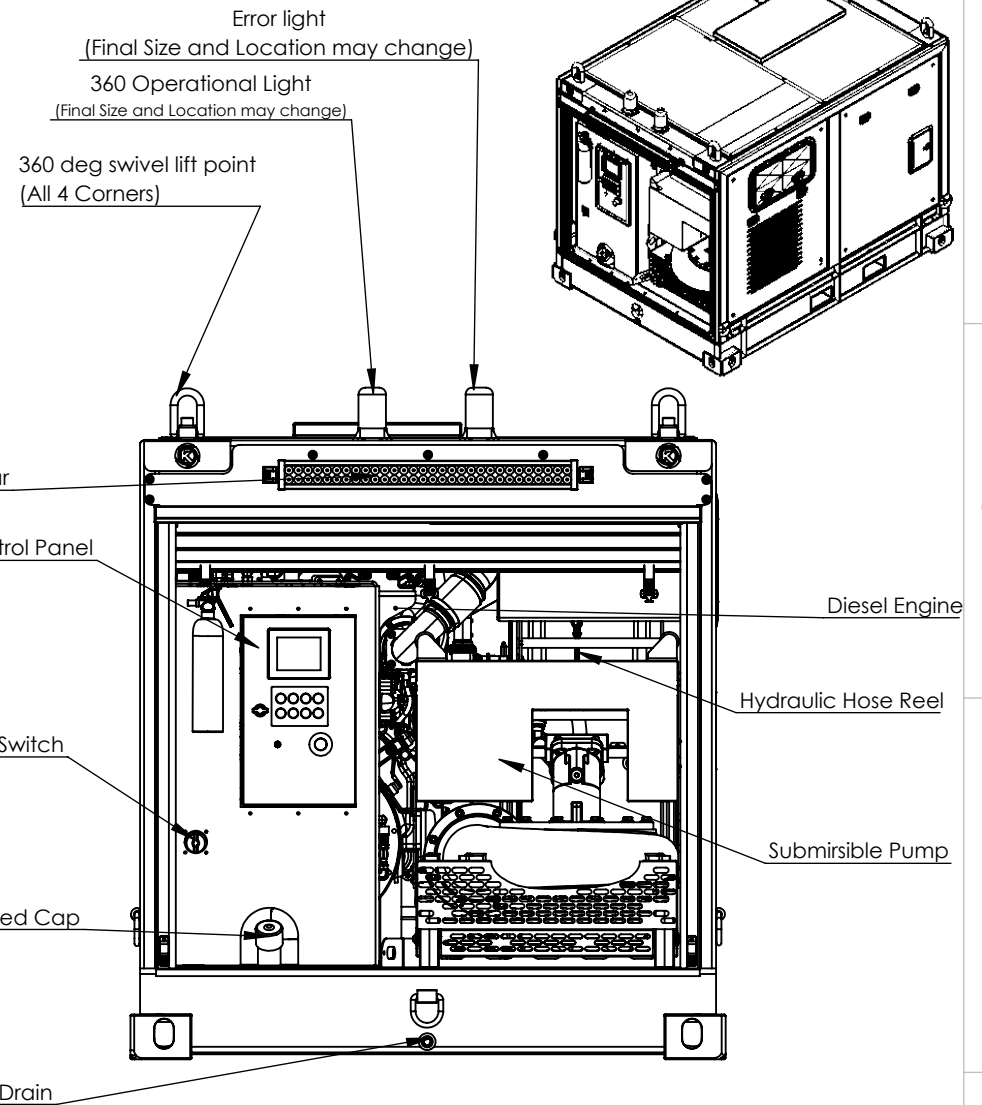
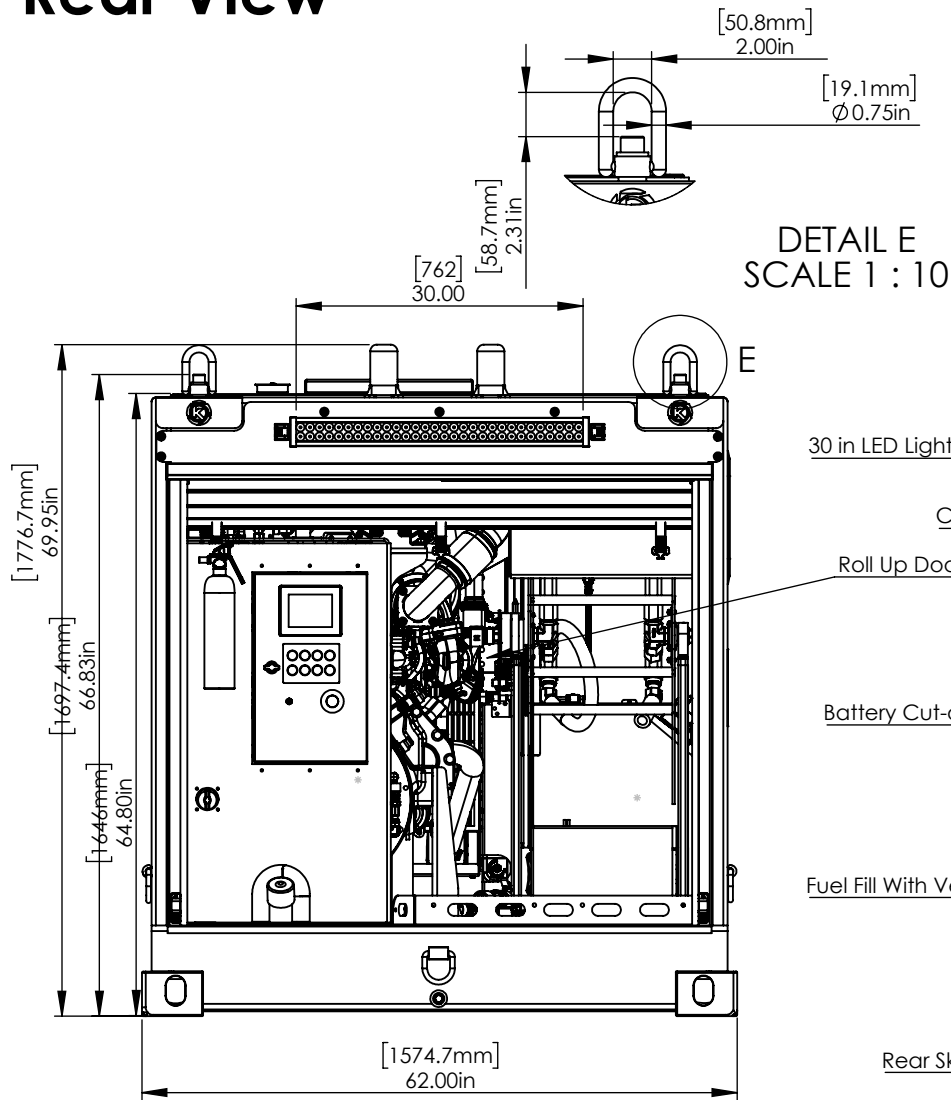
UNLESS OTHERWISE SPECIFIED:		NAME	DATE	 <b>KASE</b> PUMPING SYSTEMS
DIMENSIONS ARE IN INCHES [mm] TOLERANCES: FRACTIONAL: ±1/8 ANGULAR: MACH ±0.5 BEND ±1 TWO PLACE DECIMAL ±0.01 THREE PLACE DECIMAL ±0.005		DRAWN BY	T. Hanton, EIT	
INTERPRET GEOMETRIC TOLERANCING PER: ANSI/ASME Y14.5		ENG APPR.		TITLE: HP Otter Reference Drawing
MATERIAL		PART NUM		
FINISH		<b>PROPRIETARY AND CONFIDENTIAL</b>		
PROJECTION		THE INFORMATION CONTAINED IN THIS DRAWING IS THE SOLE PROPERTY OF KASE PUMPING SYSTEMS LLC. ANY REPRODUCTION IN PART OR AS A WHOLE WITHOUT THE WRITTEN PERMISSION OF KASE PUMPING SYSTEMS LLC IS STRICTLY PROHIBITED.		
		SIZE	DWG. NO.	REV
		A		1
		SCALE 1:50	SHEET 2 OF 8	


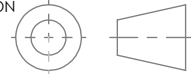
# Right Side View



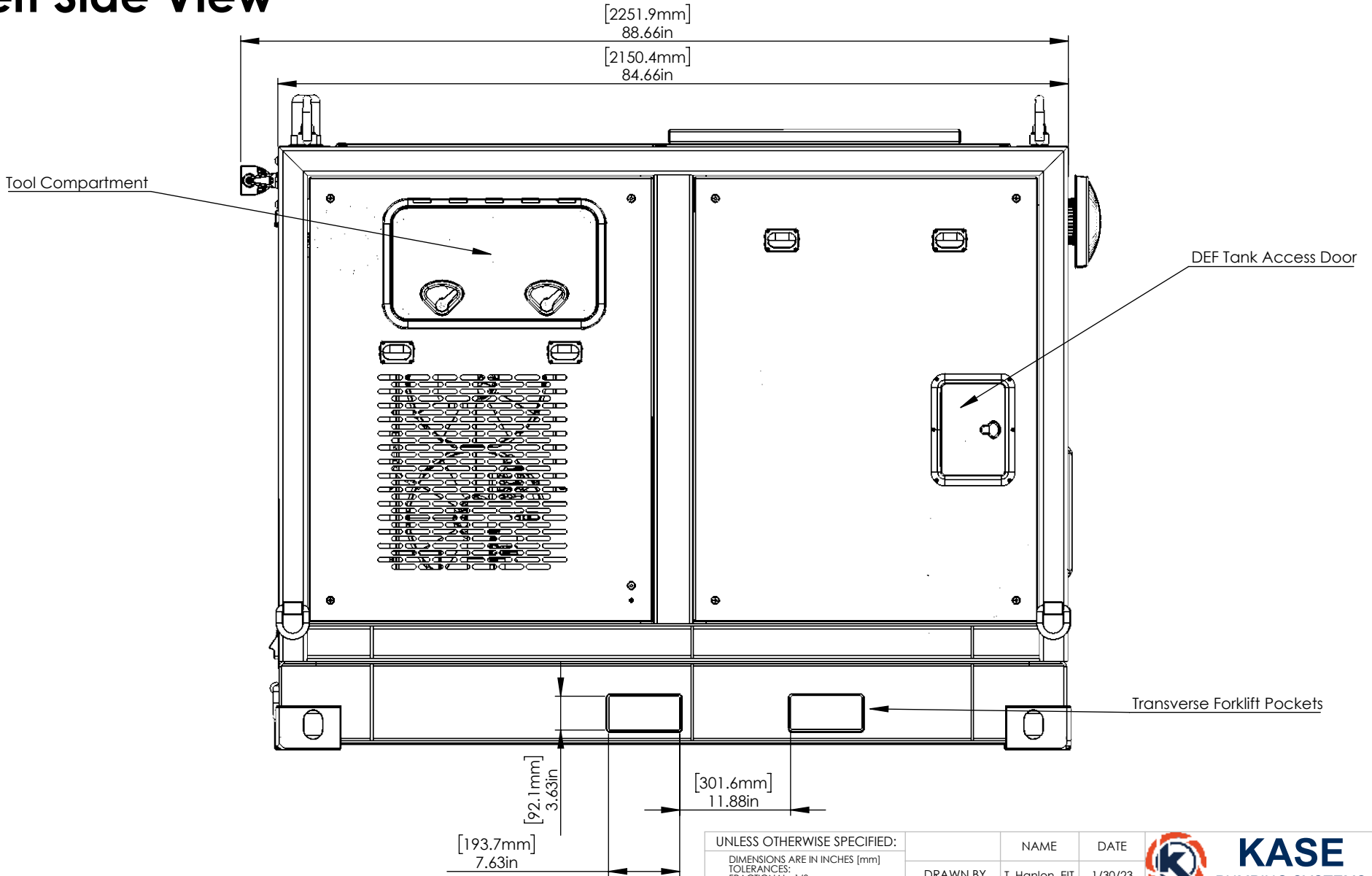
UNLESS OTHERWISE SPECIFIED:		NAME	DATE	 <b>KASE</b> PUMPING SYSTEMS
DIMENSIONS ARE IN INCHES [mm] TOLERANCES: FRACTIONAL ± 1/8 ANGULAR: MACH ± 0.5 BEND ± 1 TWO PLACE DECIMAL ± 0.01 THREE PLACE DECIMAL ± 0.005		DRAWN BY	T. Hanton, EIT	
INTERPRET GEOMETRIC TOLERANCING PER: ANSI/ASME Y14.5		ENG APPR.		TITLE:
MATERIAL		PART NUM		HP Otter Reference Drawing
FINISH		<b>PROPRIETARY AND CONFIDENTIAL</b>		SIZE DWG. NO.
PROJECTION 		THE INFORMATION CONTAINED IN THIS DRAWING IS THE SOLE PROPERTY OF KASE PUMPING SYSTEMS LLC. ANY REPRODUCTION IN PART OR AS A WHOLE WITHOUT THE WRITTEN PERMISSION OF KASE PUMPING SYSTEMS LLC IS STRICTLY PROHIBITED.		REV <b>1</b>
		SCALE 1:50		SHEET 3 OF 8

# Rear View



UNLESS OTHERWISE SPECIFIED:		NAME	DATE	 <b>KASE</b> PUMPING SYSTEMS
DIMENSIONS ARE IN INCHES [mm] TOLERANCES: FRACTIONAL ± 1/8 ANGULAR: MACH ± 0.5 BEND ± 1 TWO PLACE DECIMAL ± 0.01 THREE PLACE DECIMAL ± 0.005		DRAWN BY	T. Hanton, EIT	
INTERPRET GEOMETRIC TOLERANCING PER: ANSI/ASME Y14.5		ENG APPR.		TITLE:
MATERIAL		PART NUM		HP Otter
FINISH		<b>PROPRIETARY AND CONFIDENTIAL</b>		Reference Drawing
PROJECTION		THE INFORMATION CONTAINED IN THIS DRAWING IS THE SOLE PROPERTY OF KASE PUMPING SYSTEMS LLC. ANY REPRODUCTION IN PART OR AS A WHOLE WITHOUT THE WRITTEN PERMISSION OF KASE PUMPING SYSTEMS LLC IS STRICTLY PROHIBITED.		SIZE DWG. NO.
				A
				SCALE 1:50 SHEET 4 OF 8

# Left Side View



**UNLESS OTHERWISE SPECIFIED:**

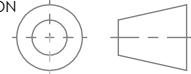
DIMENSIONS ARE IN INCHES [mm]  
 TOLERANCES:  
 FRACTIONAL ± 1/8  
 ANGULAR: MACH ± 0.5 BEND ± 1  
 TWO PLACE DECIMAL ± 0.01  
 THREE PLACE DECIMAL ± 0.005

INTERPRET GEOMETRIC TOLERANCING PER: ANSI/ASME Y14.5

MATERIAL

FINISH

PROJECTION



	NAME	DATE
DRAWN BY	T. Hanton, EIT	1/30/23
ENG APPR.		
PART NUM		

**PROPRIETARY AND CONFIDENTIAL**

THE INFORMATION CONTAINED IN THIS DRAWING IS THE SOLE PROPERTY OF KASE PUMPING SYSTEMS LLC. ANY REPRODUCTION IN PART OR AS A WHOLE WITHOUT THE WRITTEN PERMISSION OF KASE PUMPING SYSTEMS LLC IS STRICTLY PROHIBITED.



TITLE: HP Otter  
Reference Drawing

SIZE A	DWG. NO.	REV 1
SCALE 1:50	SHEET 5 OF 8	

8 7 6 5 4 3 2 1

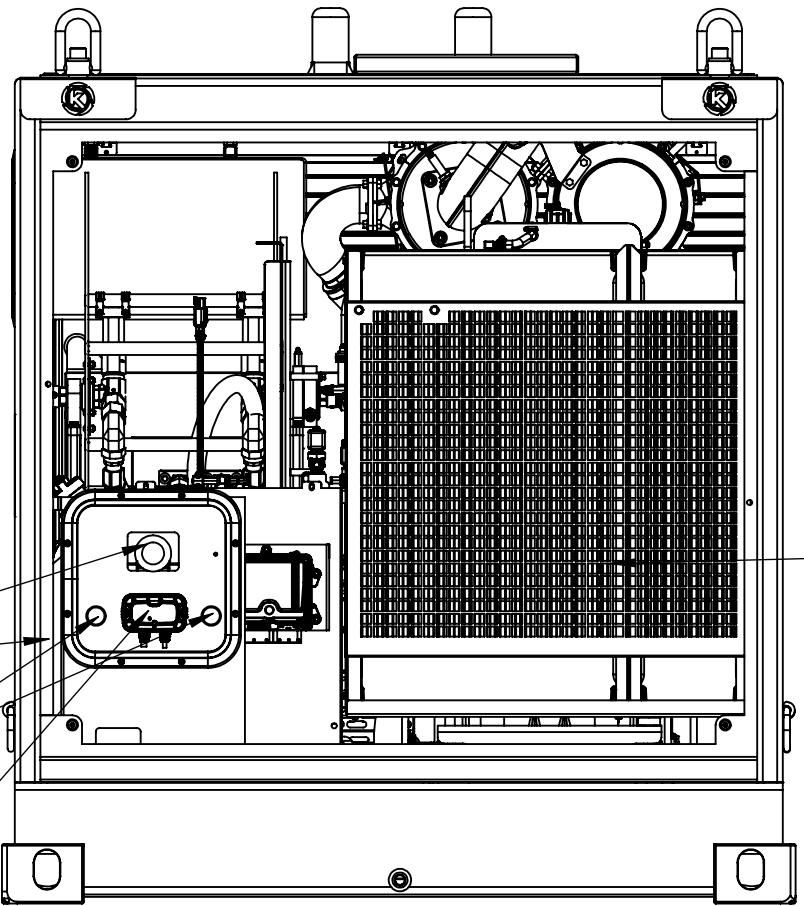
D

C

D

C

B



FRONT -NO PANELS

A

A

8 7 6 5 4 3 2 1

UNLESS OTHERWISE SPECIFIED:

DIMENSIONS ARE IN INCHES [mm]  
 TOLERANCES:  
 FRACTIONAL ± 1/8  
 ANGULAR: MACH ± 0.5 BEND ± 1  
 TWO PLACE DECIMAL ± 0.01  
 THREE PLACE DECIMAL ± 0.005

INTERPRET GEOMETRIC TOLERANCING PER: ANSI/ASME Y14.5

MATERIAL

FINISH

PROJECTION



	NAME	DATE
DRAWN BY	T. Hanlon, EIT	1/30/23
ENG APPR.		
PART NUM		

**PROPRIETARY AND CONFIDENTIAL**

THE INFORMATION CONTAINED IN THIS DRAWING IS THE SOLE PROPERTY OF KASE PUMPING SYSTEMS LLC. ANY REPRODUCTION IN PART OR AS A WHOLE WITHOUT THE WRITTEN PERMISSION OF KASE PUMPING SYSTEMS LLC IS STRICTLY PROHIBITED.



TITLE: HP Otter  
Reference Drawing

SIZE A	DWG. NO.	REV 1
SCALE 1:50	SHEET 6 OF 8	

8 7 6 5 4 3 2 1

D

D

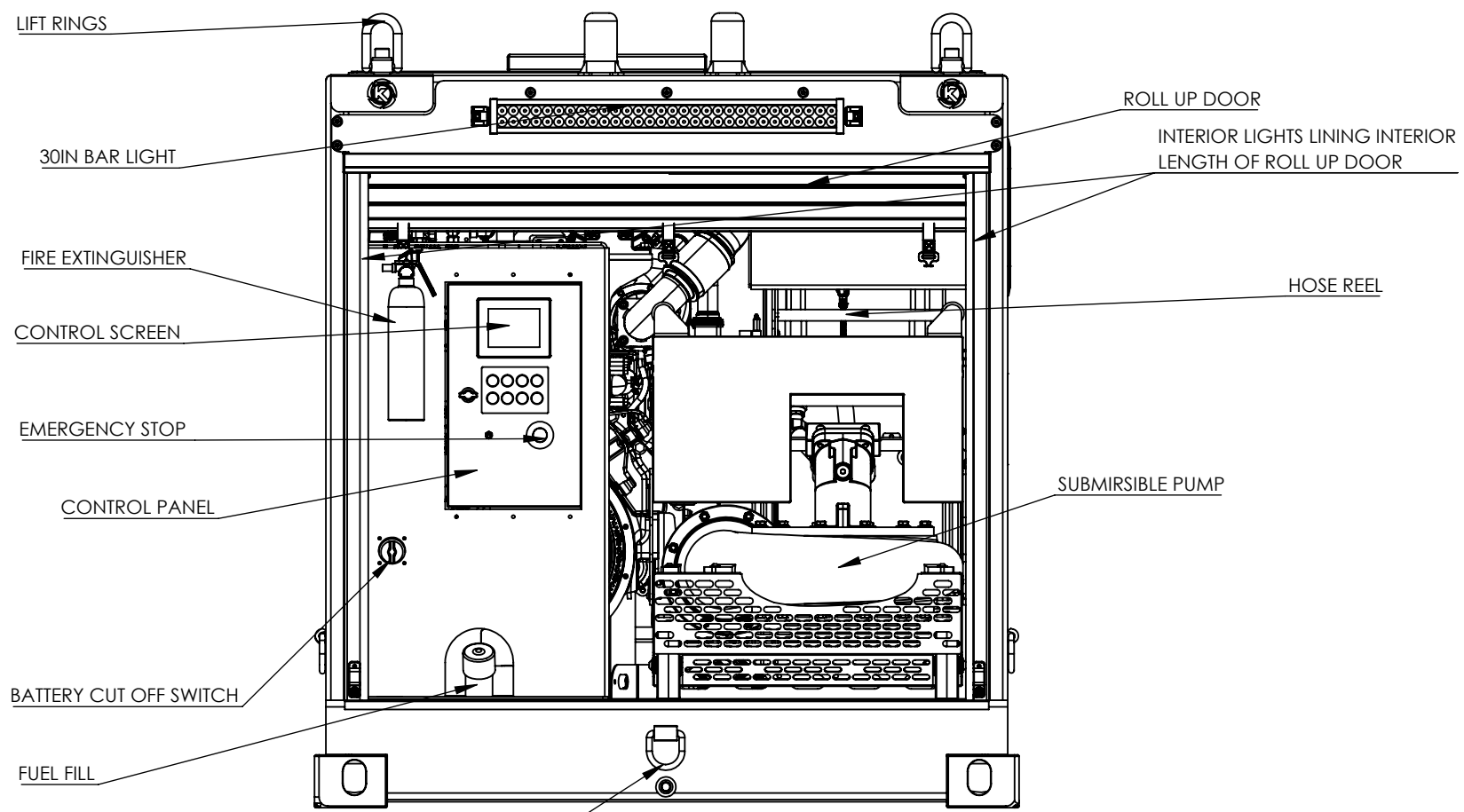
C

C


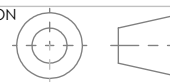
B

A

A



REAR -NO PANELS

UNLESS OTHERWISE SPECIFIED:		NAME	DATE	 <b>KASE</b> PUMPING SYSTEMS
DIMENSIONS ARE IN INCHES [mm] TOLERANCES: FRACTIONAL ± 1/8 ANGULAR: MACH ± 0.5 BEND ± 1 TWO PLACE DECIMAL ± 0.01 THREE PLACE DECIMAL ± 0.005		DRAWN BY	T. Hanton, EIT	
INTERPRET GEOMETRIC TOLERANCING PER: ANSI/ASME Y14.5		ENG APPR.		TITLE:
MATERIAL		PART NUM		HP Otter
FINISH		<b>PROPRIETARY AND CONFIDENTIAL</b>		Reference Drawing
PROJECTION		THE INFORMATION CONTAINED IN THIS DRAWING IS THE SOLE PROPERTY OF KASE PUMPING SYSTEMS LLC. ANY REPRODUCTION IN PART OR AS A WHOLE WITHOUT THE WRITTEN PERMISSION OF KASE PUMPING SYSTEMS LLC IS STRICTLY PROHIBITED.		SIZE DWG. NO.
				REV <b>1</b>
		SCALE 1:50		SHEET 7 OF 8

8 7 6 5 4 3 2 1

8 7 6 5 4 3 2 1

D

D

TOOL COMPARTMENT

HYDRAULIC HOSE BUNDLE REEL

C

C

DEF TANK

HYDRAULIC TANK  
DESICCANT CARTRIDGE AND  
HYDRUALIC OIL FILL LOCATION

B

TRAILER TIE DOWN POINTS

A

A

LEFT- NO PANELS

UNLESS OTHERWISE SPECIFIED:

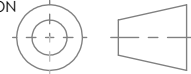
DIMENSIONS ARE IN INCHES [mm]  
TOLERANCES:  
FRACTIONAL ± 1/8  
ANGULAR: MACH ± 0.5 BEND ± 1  
TWO PLACE DECIMAL ± 0.01  
THREE PLACE DECIMAL ± 0.005

INTERPRET GEOMETRIC TOLERANCING PER: ANSI/ASME Y14.5

MATERIAL

FINISH

PROJECTION



	NAME	DATE
DRAWN BY	T. Hanton, EIT	1/30/23
ENG APPR.		
PART NUM		

PROPRIETARY AND CONFIDENTIAL

THE INFORMATION CONTAINED IN THIS DRAWING IS THE SOLE PROPERTY OF KASE PUMPING SYSTEMS LLC. ANY REPRODUCTION IN PART OR AS A WHOLE WITHOUT THE WRITTEN PERMISSION OF KASE PUMPING SYSTEMS LLC IS STRICTLY PROHIBITED.



TITLE: HP Otter  
Reference Drawing

SIZE	DWG. NO.	REV
A		1
SCALE 1:50	SHEET 8 OF 8	

8 7 6 5 4 3 2 1