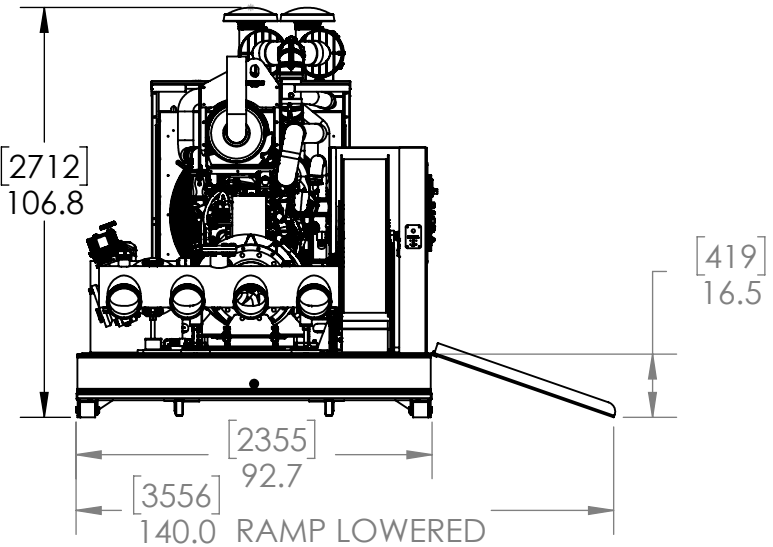
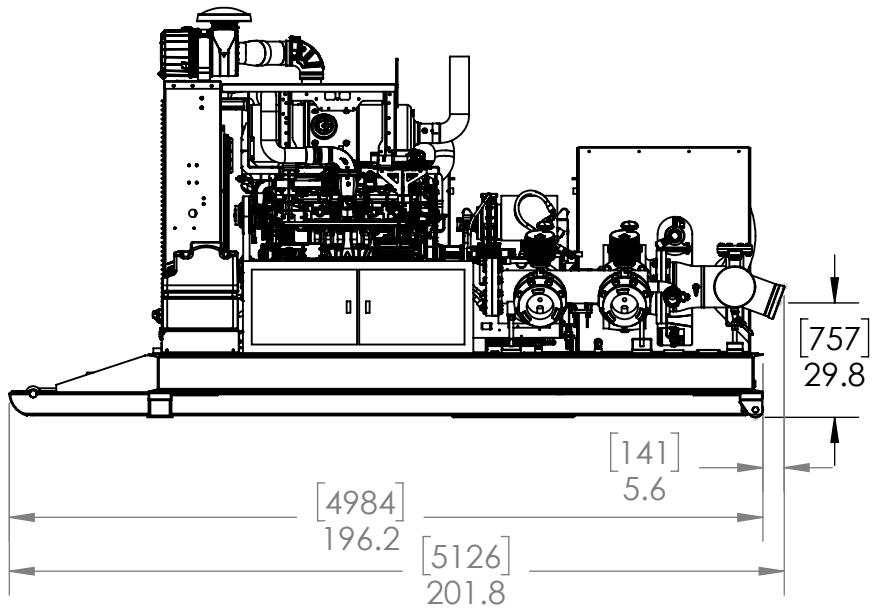


8 7 6 5 4 3 2 1

D

C



D

C


B

NOTES:

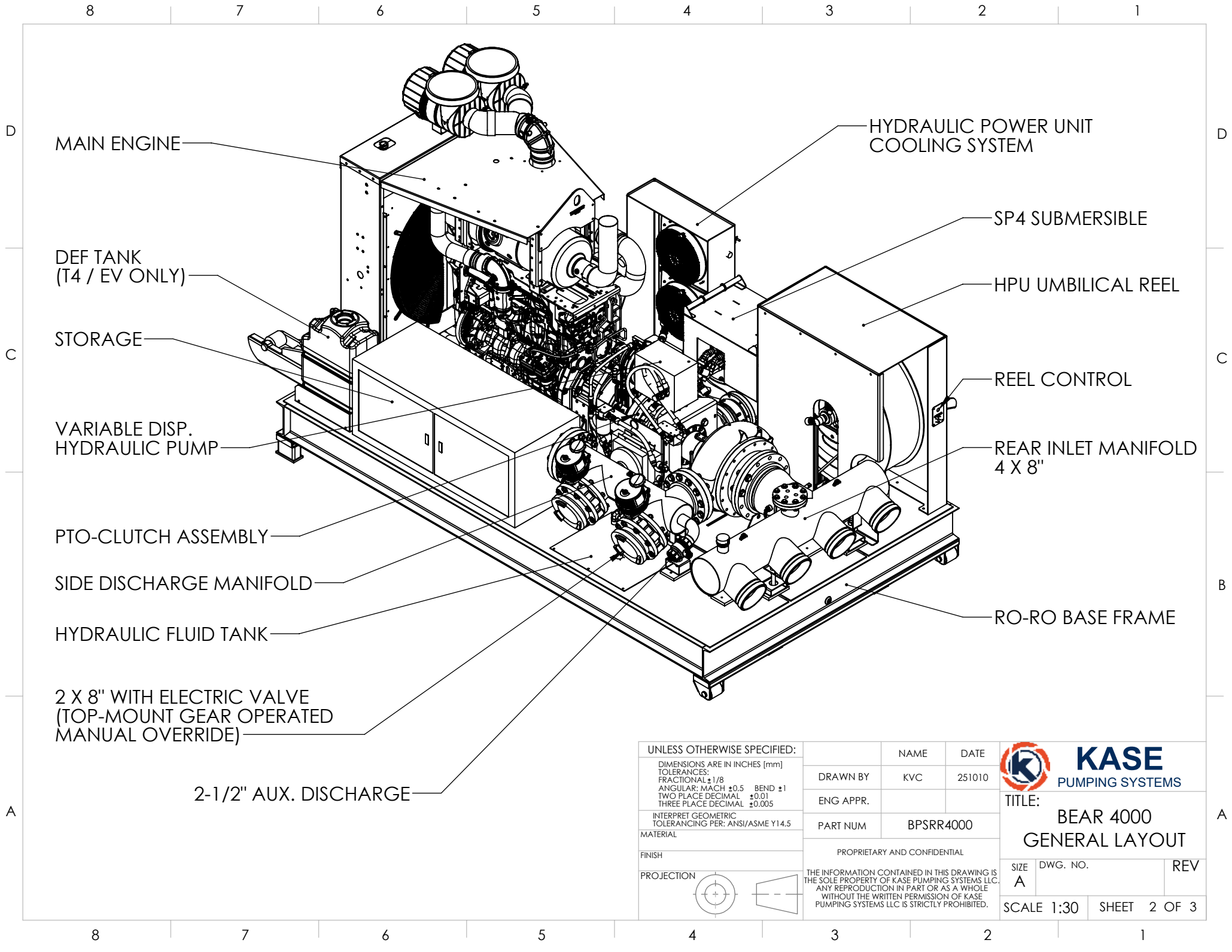
1. MAIN PUMP RATING: 4000 GPM (15142 LPM) @ 150 PSI TdP (10.3 BAR)
2. SUB PUMP RATING: 4000 GPM (15142 LPM) @ 32 PSI TdP (2.2 BAR)
3. SYSTEM WEIGHT: APPROX. 18000 LBS (8165 KG), DEPENDING ON POWER UNIT SELECTION

A

A

UNLESS OTHERWISE SPECIFIED:		NAME	DATE	 KASE PUMPING SYSTEMS
DIMENSIONS ARE IN INCHES [mm] TOLERANCES: FRACTIONAL ± 1/8 ANGULAR: MACH ± 0.5 BEND ± 1 TWO PLACE DECIMAL ± 0.01 THREE PLACE DECIMAL ± 0.005		DRAWN BY	KVC	
INTERPRET GEOMETRIC TOLERANCING PER: ANSI/ASME Y14.5		ENG APPR.		TITLE:
MATERIAL		PART NUM	BPSRR4000	BEAR 4000 GENERAL LAYOUT
FINISH		PROPRIETARY AND CONFIDENTIAL		SIZE DWG. NO. REV
PROJECTION		THE INFORMATION CONTAINED IN THIS DRAWING IS THE SOLE PROPERTY OF KASE PUMPING SYSTEMS LLC. ANY REPRODUCTION IN PART OR AS A WHOLE WITHOUT THE WRITTEN PERMISSION OF KASE PUMPING SYSTEMS LLC IS STRICTLY PROHIBITED.		SCALE 1:50 SHEET 1 OF 3

8 7 6 5 4 3 2 1



MAIN ENGINE

DEF TANK
(T4 / EV ONLY)

STORAGE

VARIABLE DISP.
HYDRAULIC PUMP

PTO-CLUTCH ASSEMBLY

SIDE DISCHARGE MANIFOLD

HYDRAULIC FLUID TANK

2 X 8" WITH ELECTRIC VALVE
(TOP-MOUNT GEAR OPERATED
MANUAL OVERRIDE)

2-1/2" AUX. DISCHARGE

HYDRAULIC POWER UNIT
COOLING SYSTEM

SP4 SUBMERSIBLE

HPU UMBILICAL REEL

REEL CONTROL

REAR INLET MANIFOLD
4 X 8"

RO-RO BASE FRAME

UNLESS OTHERWISE SPECIFIED:

DIMENSIONS ARE IN INCHES [mm]
TOLERANCES:
FRACTIONAL ± 1/8
ANGULAR: MACH ± 0.5 BEND ± 1
TWO PLACE DECIMAL ± 0.01
THREE PLACE DECIMAL ± 0.005

INTERPRET GEOMETRIC
TOLERANCING PER: ANSI/ASME Y14.5

MATERIAL

FINISH

PROJECTION



NAME	DATE
DRAWN BY	KVC 251010
ENG APPR.	
PART NUM	BPSRR4000

PROPRIETARY AND CONFIDENTIAL

THE INFORMATION CONTAINED IN THIS DRAWING IS
THE SOLE PROPERTY OF KASE PUMPING SYSTEMS LLC.
ANY REPRODUCTION IN PART OR AS A WHOLE
WITHOUT THE WRITTEN PERMISSION OF KASE
PUMPING SYSTEMS LLC IS STRICTLY PROHIBITED.



KASE
PUMPING SYSTEMS

TITLE:
**BEAR 4000
GENERAL LAYOUT**

SIZE DWG. NO. REV

SCALE 1:30 SHEET 2 OF 3

8 7 6 5 4 3 2 1

D

D

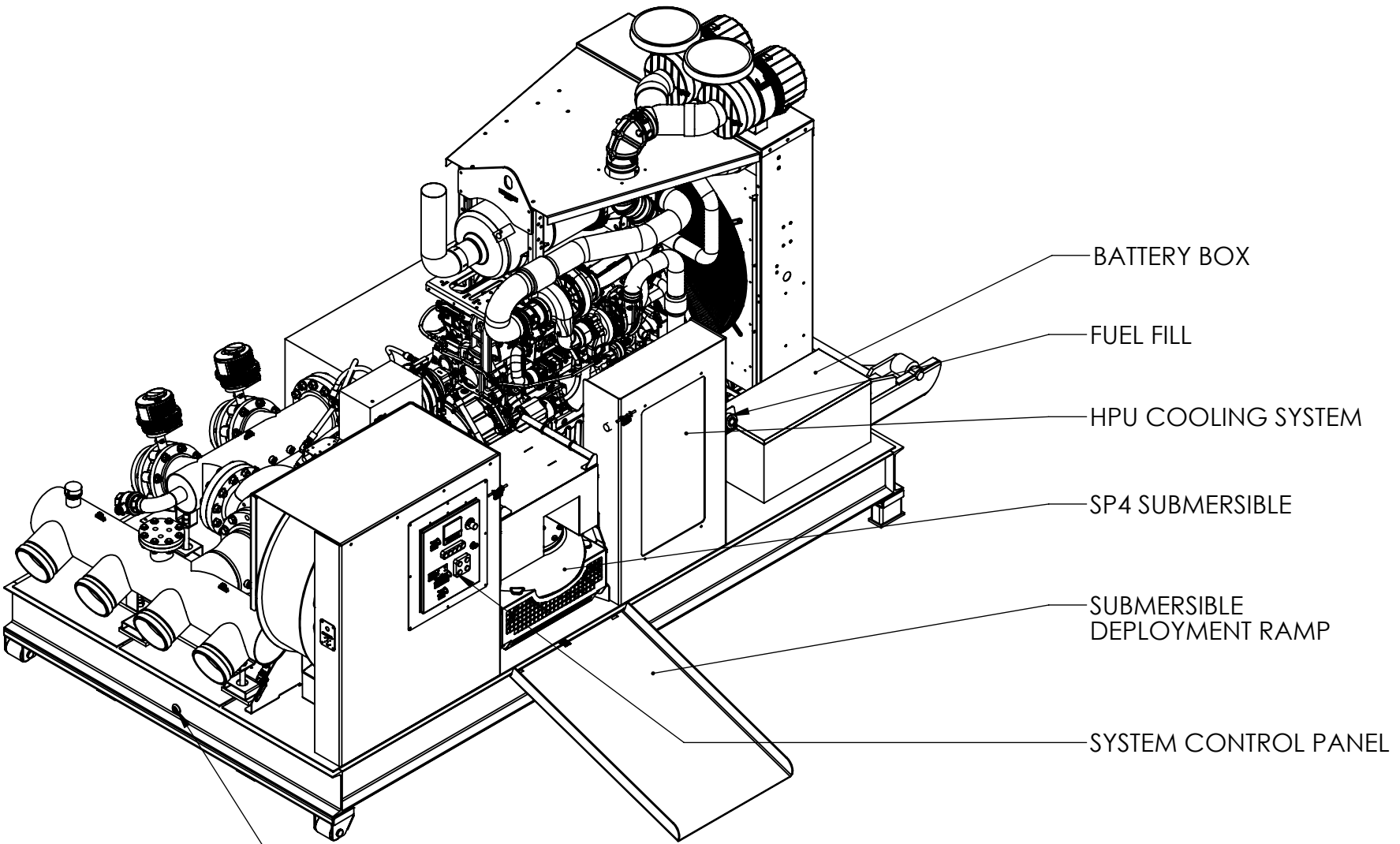
C

C

B

A

A



BATTERY BOX

FUEL FILL

HPU COOLING SYSTEM

SP4 SUBMERSIBLE

SUBMERSIBLE
DEPLOYMENT RAMP

SYSTEM CONTROL PANEL

FUEL TANK DRAIN

UNLESS OTHERWISE SPECIFIED:

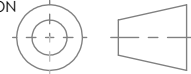
DIMENSIONS ARE IN INCHES [mm]
 TOLERANCES:
 FRACTIONAL ± 1/8
 ANGULAR: MACH ± 0.5 BEND ± 1
 TWO PLACE DECIMAL ± 0.01
 THREE PLACE DECIMAL ± 0.005

INTERPRET GEOMETRIC
 TOLERANCING PER: ANSI/ASME Y14.5

MATERIAL

FINISH

PROJECTION



	NAME	DATE
DRAWN BY	KVC	251010
ENG APPR.		
PART NUM	BPSRR4000	

PROPRIETARY AND CONFIDENTIAL

THE INFORMATION CONTAINED IN THIS DRAWING IS
 THE SOLE PROPERTY OF KASE PUMPING SYSTEMS LLC.
 ANY REPRODUCTION IN PART OR AS A WHOLE
 WITHOUT THE WRITTEN PERMISSION OF KASE
 PUMPING SYSTEMS LLC IS STRICTLY PROHIBITED.



TITLE:
**BEAR 4000
 GENERAL LAYOUT**

SIZE A	DWG. NO.	REV
SCALE 1:30	SHEET 3 OF 3	

8 7 6 5 4 3 2 1